

Specifications



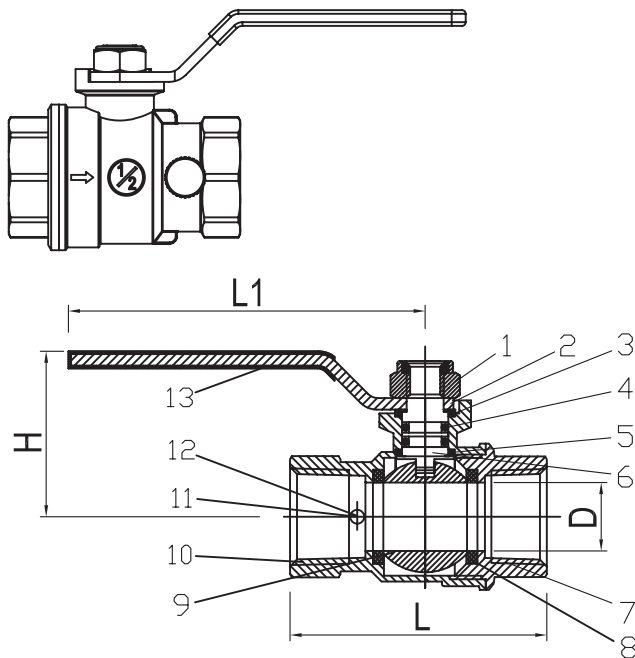
Physical Characteristics

- Description: Full Port Ball Valve with Drain - Brass
- Connection Type: Female Thread x Female Thread
- Forged brass body
- PTFE seats
- Drain waste & cap
- Handle Color: Yellow
- Max. Operating Temp. Rating: 150° F
- Max. Operating Pressure Rating: 500 PSI non-shock WOG
- Meets ANSI/NSF 61 Low Lead Requirements

VBV-FSW-B3PA
VBV-FSW-B4PA
VBV-FSW-B5PA
VBV-FSW-B3B
VBV-FSW-B4B
VBV-FSW-B5B

PART NO.	SIZE	L		H		L1		D		WEIGHT g
		mm	In.	mm	In.	mm	In.	mm	In.	
VGT-S20-B3PA	1/2"	59	2.20	34	1.34	77	3.03	14.8	0.58	188
VGT-S20-B4PA	3/4"	62.3	2.45	45	1.77	93.5	3.68	20	0.79	319
VGT-S20-B5PA	1"	75.5	2.97	48	1.89	93.5	3.68	25	0.98	478.6

PART NO.	SIZE	L		H		L1		D		WEIGHT g
		mm	In.	mm	In.	mm	In.	mm	In.	
VGT-S20-B3B	1/2"	59	2.20	34	1.34	77	3.03	14.8	0.58	188
VGT-S20-B4B	3/4"	62.3	2.45	45	1.77	93.5	3.68	20	0.79	319
VGT-S20-B5B	1"	75.5	2.97	48	1.89	93.5	3.68	25	0.98	478.6



NO.	DESCRIPTION	MATERIAL
1	Nut	Q235A
2	Handle	Steel
3	Washer	PE
4	O-Ring	Rubber
5	Packing	Teflon
6	Stem	Brass
7	End Piece	Brass
8	Ball seat	Teflon
9	Ball	Brass
10	Body	Brass
11	Washer	Rubber
12	Cap	Brass
13	Sleeve	PVC